

FIGURE 1

C 1	FIGURE 3							
2	247936	1	B 23	● 229809	1	43	241223	1
3	● 235900	1	B 24	● 229743	1	44	235218	1
4	● 235899	1	C 25	● 235675	1	C 45	241283	1
C 5	● 228872	1	A 26	240452	1	B 46	● 227194	1
6	247935	1	B 27	236563	1	A 47	● 227703	1
7	● 235899	1	A 28	● 236564	1	48	● 240884	1
8	● 235900	1	B 29	241213	1	49	● 227467	1
C 9	● 228872	1	30	235807 M5x45	2	B 50	● 227300	1
10	235806 M5x20	4	31	241212	1	B 51	● 240492	1
11	228139	1	32	227924	2	B 52	● 227470	1
12	241279	1	33	241211	1	53	● 240485	1
B 13	247937	1	C 34	FIGURE 5		54	241248	4
14	● 241269	2	A 35	241281	1	55	236527 M6x16	4
C 15	● 241270	1	36	235803 M5x25	2	C 56	241280 38-40 cc.	1
16	235218	1	37	235248	4		241414 46 cc.	1
17	241240	1	C 38	241481	1	C 57	241432	1
18	235806 M5x20	2	C 39	241428	1	58	● 227236	1
C 19	241298	1	40	241266 38-40 cc.	1	59	● 227274 M5X60	2
20	235807 M5x45	2		241267 46 cc.	1	60	227565 M5X25	4
21	235804 M5x30	2	C 41	● 235742 38-40 cc.	1	A 61	92879	1
C 22	241282	1	C	227329 46 cc.	1	62	241187 38-40 cc.	1
			C 42	227631	1		241430 46 cc.	1
						63	241416 38-40 cc.	1
						64	236322	1
						65	241241	1
						66	240688 M5X14	2
						67	236956	2
						68	94273 46 cc.	1

A = high moving - alta rotazione - haute demande - große Nachfrage B = medium moving - media rotazione - moyenne demande - mittelmäßige Nachfrage C = slow moving - bassa rotazione - basse demande - wenige Nachfrage

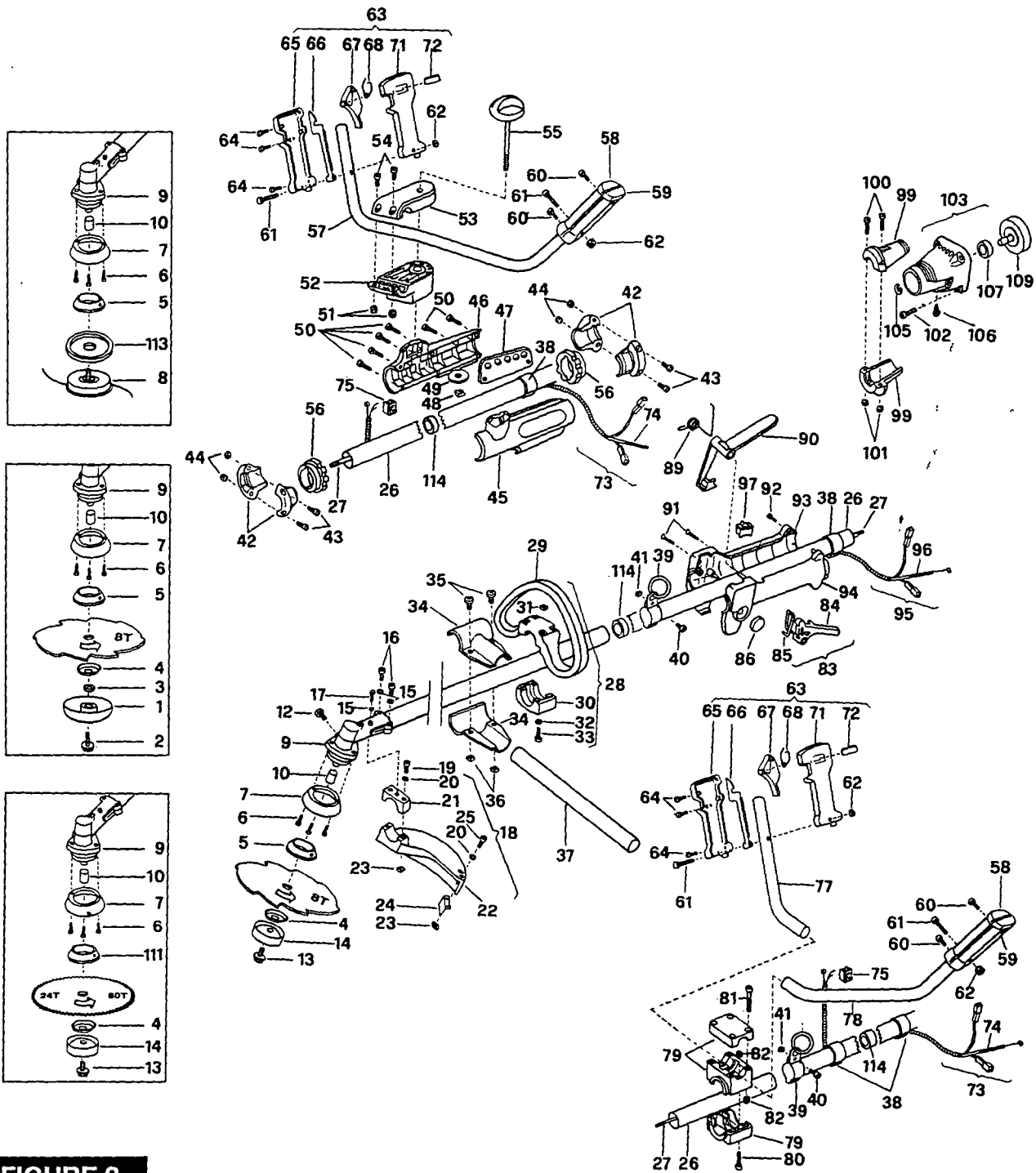


FIGURE 2

A 1	240809B	1	24 ● 224497-01	1	46	240941	1	68 ● 240091	1	C 95 ● 241440	1				
A 2	240806	1	25 ● 235802 M5x14	2	47	240966	1	71 ● 241294	1	C 96 ● 241441	1				
3	240807	1	26	240830	1	48	241003	1	72 ● 241292	1	C 97 ● 236394	1			
A 4	229834	1	27	229829	1	49	241004	1	C 73 ● 241410	1	99	240935	2		
A 5	229833	1	28	236999	1	50	241002	6	C 74 ● 241424	1	100	235530 M5x35	2		
6	240688 M5x14	3	29 ● 236808	1	51	235216	2	C 75 ● 236394	1	101	235216	2			
B 7	240767	1	30 ● 236809	1	52	240967	1	77	229831	1	102	236527 M6x16	4		
A 8	FIGURE 4		31 ● 236642	4	53	240968	1	78	229832	1	103	240905 38 cc.	1		
9	240824	1	32 ● 236936	4	54	227563 M5x16	2	79	240017	1		241417 40-46 cc.	1		
10 ●	247272	1	33 ● 228320 M6x45	4	55	240971	1	80 ● 235921 M6x30	2	C105 ● 236378	1				
12 ●	240151 M8x10	1	34	240682	2	56	240970	2	81 ● 236558 M6x40	4	106 ● 236381 40-46 cc.	1			
A 13	229842 M10x16	1	35	235911 M6x12	2	57	241010	1	82 ● 235912	6	C107 ● 235918 40-46 cc.	1			
A 14	236596	1	36	236642	2	58	229985	1	83	241439	1	C109 ● 227284	1		
15	236529	3	37	246864	1	59	229984	1	84 ● 240042	1	A111	240936	1		
16	235804 M5x30	2	38	229849	2	60	240833	2	85 ● 235932	1	113	241155	1		
17	236381 M5x10	1	39	236602	1	61	235804 M5x30	2	86 ● 241297	1	114	236383	5		
B 18	247209	1	40	235911 M6x12	1	62	235216	2	89 ● 240043	1					
19 ●	235806 M5x20	2	41	236642	1	63	241406	1	90 ● 240041	1					
20 ●	235248	4	42	240969	4	64 ●	240833	5	91 ● 240617	2					
21 ●	240870	1	43	227563 M5x16	4	65 ●	241293	1	92 ● 240618	4					
B 22	240932	1	44	235216	4	66 ●	229820	1	93 ● 240039	1					
23 ●	236732	4	45	240942	1	67 ●	241295	1	94 ● 240040	1					

A = high moving - alta rotazione - haute demande - große Nachfrage B = medium moving - media rotazione - moyenne demande - mittelmäßige Nachfrage C = slow moving - bassa rotazione - basse demande - wenige Nachfrage

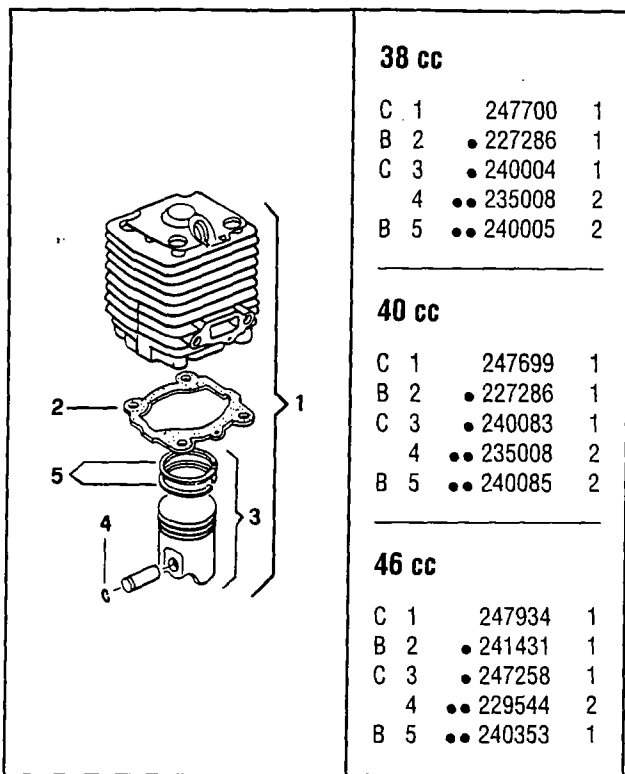


FIGURE 3

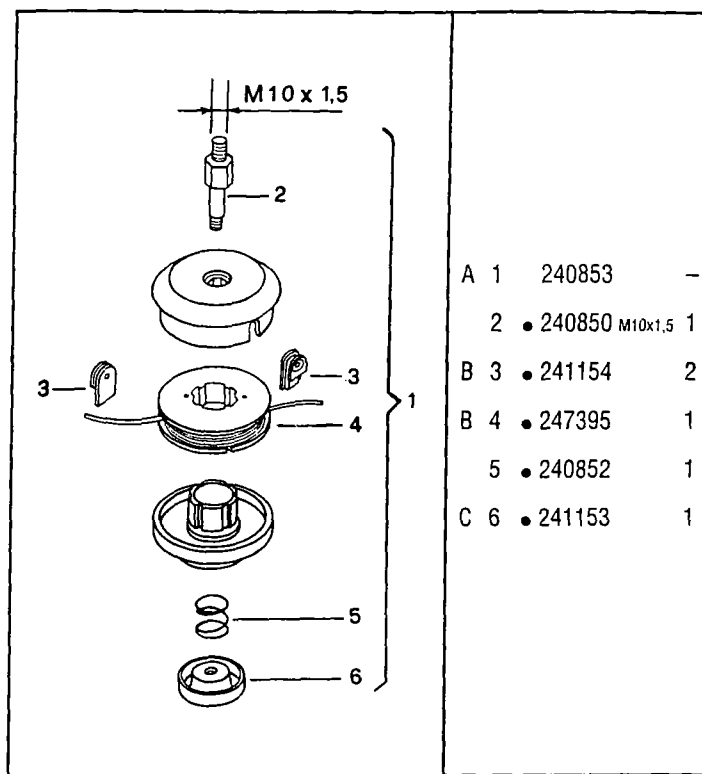
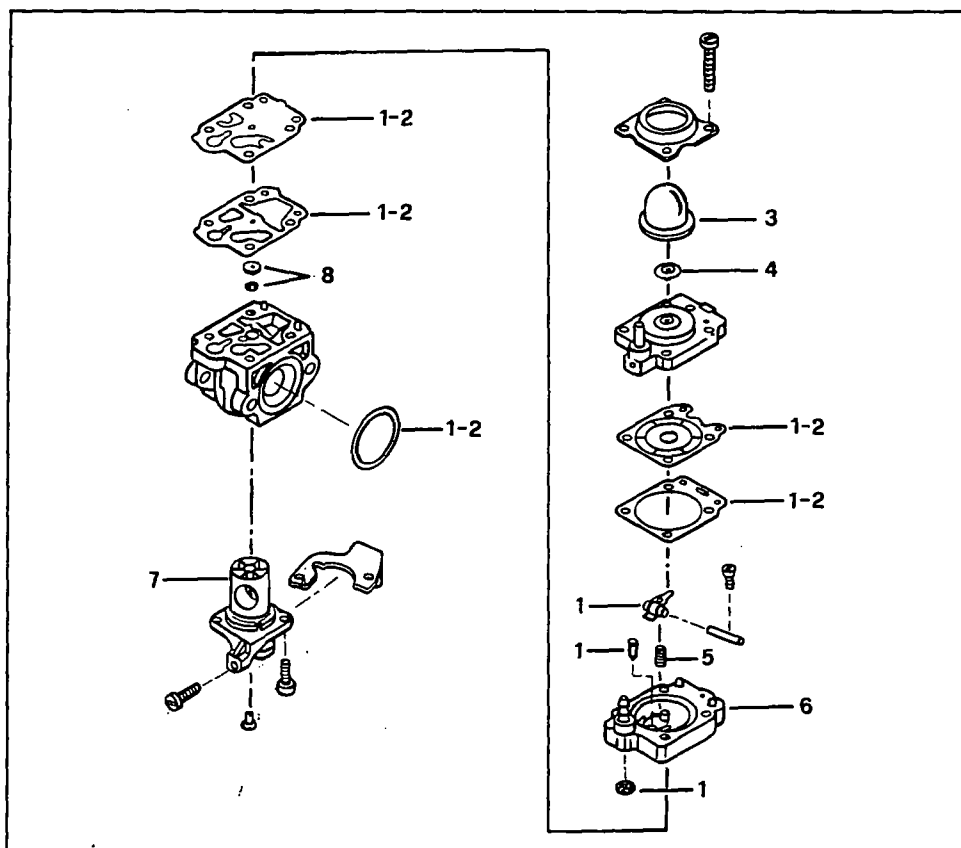


FIGURE 4



WALBRO WYJ 183A (38-40 cc)

C -	241268	carbur.
B 1	• 247955	1
A 2	•• 247956	1
C 3	• 225834	1
C 4	• 247957	1
C 5	• 247958	1
C 6	• 247962	1
C 7	• 247961	1
C 8	• 247959 (43)	1

WALBRO WYJ 208 (46 cc)

C -	241476	carbur.
B 1	• 247955	1
A 2	•• 247956	1
C 3	• 225834	1
C 4	• 247957	1
C 5	• 247958	1
C 6	• 247962	1
C 7	• 247961	1
C 8	• 247960 (46)	1

FIGURE 5

A = high moving - alta rotazione - haute demande - große Nachfrage
 B = medium moving - media rotazione - moyenne demande - mittelmäßige Nachfrage
 C = slow moving - bassa rotazione - basse demande - wenige Nachfrage